

HI/LO Limit Setpoints with Relay Outputs
 Programmable Decimal Point
 1/8 DIN Size
 0-30 Second Relay Delay Option
 Voltage & 4-20mA Input Scaling Option
 AC TRMS Option



DC VOLTAGE

Model	Range	Input Impedance	Input Protection
DMR-312-02	+/-199.9mV	100M ohm	100V
DMR-312-03	+/-1.999mV	100M ohm	100V
DMR-312-04	+/-19.99V	10M ohm	250V
DMR-312-05	+/-199.9V	10M ohm	750V
DMR-312-06	+/-600V	10M ohm	750V

Accuracy +/-0.1% +/-1 digit

DC CURRENT

Model	Range	Input Impedance	Input Protection
DMR-312-22	+/-199.9uA	1K ohm	10mA
DMR-312-23	+/-1.999mA	100 ohm	50mA
DMR-312-24	+/-19.99mA	10 ohm	150mA
DMR-312-25	+/-199.9mA	1 ohm	500mA
DMR-312-26	+/-1.999A	0.1 ohm	4A
DMR-312-27	+/-10.00A	0.01 ohm	15A

Accuracy +/-0.1% +/-1 digit

AC VOLTAGE

Model	Range	Input Impedance	Input Protection
DMR-312-12(T)	199.9mV	100M ohm	100V
DMR-312-13(T)	1.999V	100M ohm	100V
DMR-312-14(T)	19.99V	10M ohm	250V
DMR-312-15(T)	199.9V	10M ohm	750V
DMR-312-16(T)	600V	10M ohm	750V

Accuracy +/-0.2% +/-1 digit

AC CURRENT

Model	Range	Input Impedance	Input Protection
DMR-312-32(T)	199.9uA	1K ohm	10mA
DMR-312-33(T)	1.999mA	100 ohm	50mA
DMR-312-34(T)	19.99mA	10 ohm	150mA
DMR-312-35(T)	199.9mA	1 ohm	500mA
DMR-312-36(T)	1.999A	0.1 ohm	4A
DMR-312-37(T)	10.00A	0.01 ohm	15A

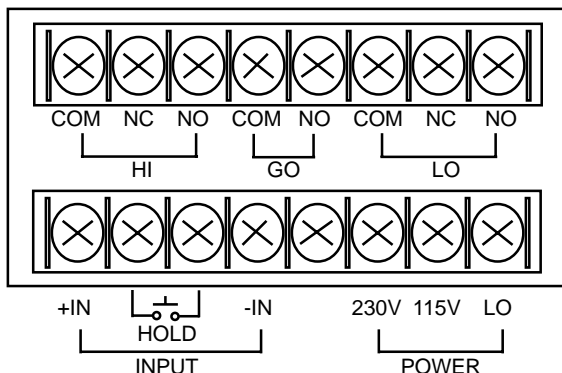
Accuracy +/-0.2% +/-1 digit

COMMON SPECIFICATIONS

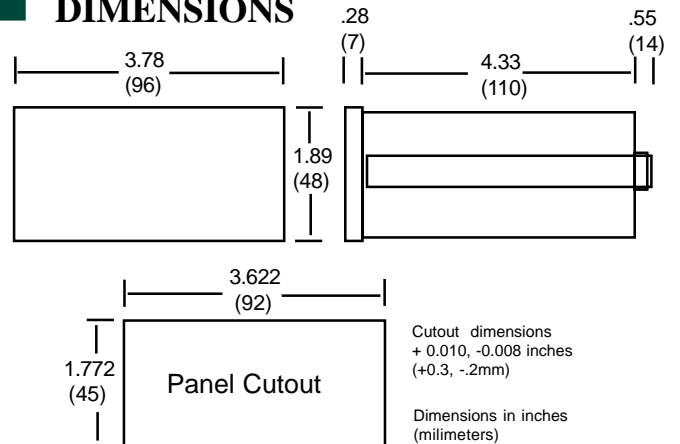
Limit Setpoint Range	+/-1999	Display	0.36" high red LED
Measurement Rate	3 cycles/second	Relay Contact Rating	120VAC @ 5A, 24VDC @ 5A
Operating Temperature	0-50 deg C (cal @ 22 deg C)	Temperature Coefficient	+/-60 PPM/deg C
Power Supply	115/230VAC +/-10% 50/60 Hz (4.7-31V AC/DC optional)	TRMS Option, add (T) to model number	
		0-30 second relay delay option, add -01 to model number	

CONNECTION DIAGRAM

(rear view of meter)



DIMENSIONS



3 1/2 DIGIT DUAL LIMIT/RELAY METER

DMR-312A