

Limit Setpoint with Relay Output  
 Programmable Decimal Point  
 1/8 DIN Size  
 0-30 Second Relay Delay Option  
 Voltage & 4-20mA Input Scaling Option  
 AC TRMS Option



### DC VOLTAGE

| Model      | Range      | Input Impedance | Input Protection |
|------------|------------|-----------------|------------------|
| DMR-411-02 | +/-199.9mV | 100M ohm        | 100V             |
| DMR-411-03 | +/-1.999mV | 100M ohm        | 100V             |
| DMR-411-04 | +/-19.99V  | 10M ohm         | 250V             |
| DMR-411-05 | +/-199.9V  | 10M ohm         | 750V             |
| DMR-411-06 | +/-600V    | 10M ohm         | 750V             |

Accuracy +/-0.1% +/-1 digit

### DC CURRENT

| Model      | Range      | Input Impedance | Input Protection |
|------------|------------|-----------------|------------------|
| DMR-411-22 | +/-199.9uA | 1K ohm          | 10mA             |
| DMR-411-23 | +/-1.999mA | 100 ohm         | 50mA             |
| DMR-411-24 | +/-19.99mA | 10 ohm          | 150mA            |
| DMR-411-25 | +/-199.9mA | 1 ohm           | 500mA            |
| DMR-411-26 | +/-1.999A  | 0.1 ohm         | 4A               |
| DMR-411-27 | +/-10.00A  | 0.01 ohm        | 15A              |

Accuracy +/-0.1% +/-1 digit

### AC VOLTAGE

| Model         | Range   | Input Impedance | Input Protection |
|---------------|---------|-----------------|------------------|
| DMR-411-12(T) | 199.9mV | 100M ohm        | 100V             |
| DMR-411-13(T) | 1.999V  | 100M ohm        | 100V             |
| DMR-411-14(T) | 19.99V  | 10M ohm         | 250V             |
| DMR-411-15(T) | 199.9V  | 10M ohm         | 750V             |
| DMR-411-16(T) | 600V    | 10M ohm         | 750V             |

Accuracy +/-0.2% +/-1 digit

### AC CURRENT

| Model         | Range   | Input Impedance | Input Protection |
|---------------|---------|-----------------|------------------|
| DMR-411-32(T) | 199.9uA | 1K ohm          | 10mA             |
| DMR-411-33(T) | 1.999mA | 100 ohm         | 50mA             |
| DMR-411-34(T) | 19.99mA | 10 ohm          | 150mA            |
| DMR-411-35(T) | 199.9mA | 1 ohm           | 500mA            |
| DMR-411-36(T) | 1.999A  | 0.1 ohm         | 4A               |
| DMR-411-37(T) | 10.00A  | 0.01 ohm        | 15A              |

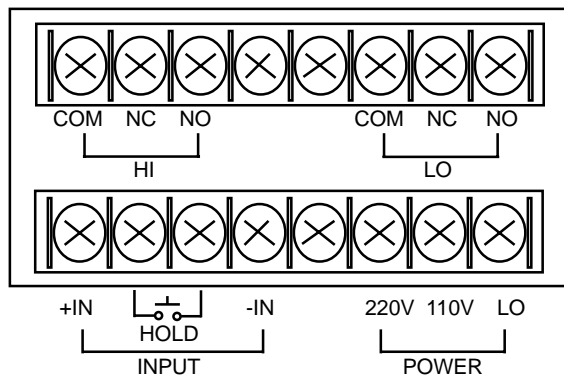
Accuracy +/-0.2% +/-1 digit

### COMMON SPECIFICATIONS

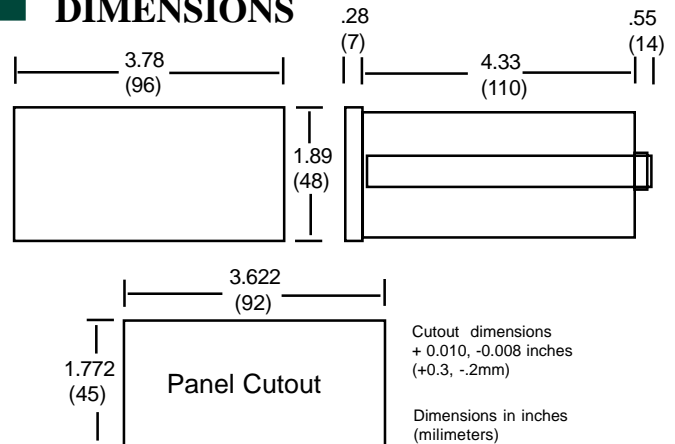
|                       |  |   |                         |
|-----------------------|--|---|-------------------------|
| Limit Setpoint Range  | +/-19999   | Display   | 0.36" high red LED      |
| Measurement Rate      | 3 cycles/second  | Relay Contact Rating                                    | 120VAC @ 5A, 24VDC @ 5A |
| Operating Temperature | 0-50 deg C (cal @ 22 deg C)                            | Temperature Coefficient                                 | +/-60 PPM/deg C         |
| Power Supply          | 110/220VAC +/-10% 50/60 Hz<br>(4.7-31V AC/DC optional) | TRMS Option, add (T) to model number                    |                         |
|                       |  | 0-30 second relay delay option, add -01 to model number |                         |

### CONNECTION DIAGRAM

(rear view of meter)



### DIMENSIONS



# 4 1/2 DIGIT LIMIT/RELAY METER

# DMR-411A