

HI/LO Limit Setpoints with Relay Outputs
 Programmable Decimal Point
 1/8 DIN Size
 0-30 Second Relay Delay Option
 Voltage & 4-20mA Input Scaling Option
 AC TRMS Option



DC VOLTAGE

Model	Range	Input Impedance	Input Protection
DMR-412-02	+/-199.9mV	100M ohm	100V
DMR-412-03	+/-1.999mV	100M ohm	100V
DMR-412-04	+/-19.99V	10M ohm	250V
DMR-412-05	+/-199.9V	10M ohm	750V
DMR-412-06	+/-600V	10M ohm	750V

Accuracy +/-0.1% +/-1 digit

DC CURRENT

Model	Range	Input Impedance	Input Protection
DMR-412-22	+/-199.9uA	1K ohm	10mA
DMR-412-23	+/-1.999mA	100 ohm	50mA
DMR-412-24	+/-19.99mA	10 ohm	150mA
DMR-412-25	+/-199.9mA	1 ohm	500mA
DMR-412-26	+/-1.999A	0.1 ohm	4A
DMR-412-27	+/-10.00A	0.01 ohm	15A

Accuracy +/-0.1% +/-1 digit

AC VOLTAGE

Model	Range	Input Impedance	Input Protection
DMR-412-12(T)	199.9mV	100M ohm	100V
DMR-412-13(T)	1.999V	100M ohm	100V
DMR-412-14(T)	19.99V	10M ohm	250V
DMR-412-15(T)	199.9V	10M ohm	750V
DMR-412-16(T)	600V	10M ohm	750V

Accuracy +/-0.2% +/-1 digit

AC CURRENT

Model	Range	Input Impedance	Input Protection
DMR-412-32(T)	199.9uA	1K ohm	10mA
DMR-412-33(T)	1.999mA	100 ohm	50mA
DMR-412-34(T)	19.99mA	10 ohm	150mA
DMR-412-35(T)	199.9mA	1 ohm	500mA
DMR-412-36(T)	1.999A	0.1 ohm	4A
DMR-412-37(T)	10.00A	0.01 ohm	15A

Accuracy +/-0.2% +/-1 digit

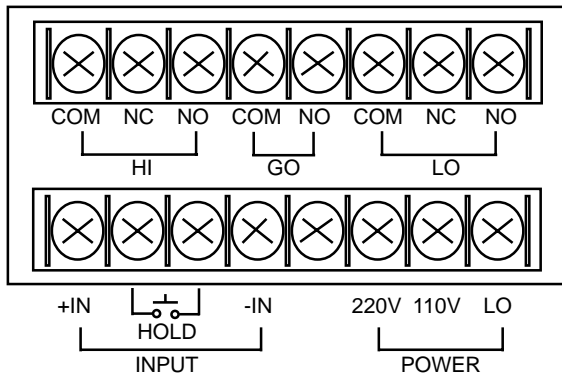
COMMON SPECIFICATIONS

Limit Setpoint Range	+/-19999
Measurement Rate	3 cycles/second
Operating Temperature	0-50 deg C (cal @ 22 deg C)
Power Supply	115/230VAC +/-10% 50/60 Hz (4.7-31V AC/DC optional)

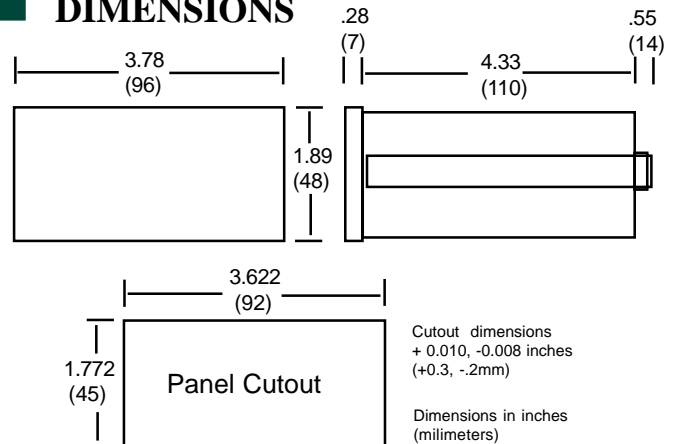
Display	0.36" high red LED
Relay Contact Rating	120VAC @ 5A, 24VDC @ 5A
Temperature Coefficient	+/-60 PPM/deg C
TRMS Option, add (T) to model number	
0-30 second relay delay option, add -01 to model number	

CONNECTION DIAGRAM

(rear view of meter)



DIMENSIONS



4 1/2 DIGIT DUAL LIMIT/RELAY METER

DMR-412A