

AC or DC Watts
 HI/LO Limit Setpoints
 Relay Outputs
 +/- 0.25% Accuracy
 1/8 DIN Panel Mount
 Screw Terminals Standard
 110/220 VAC Power

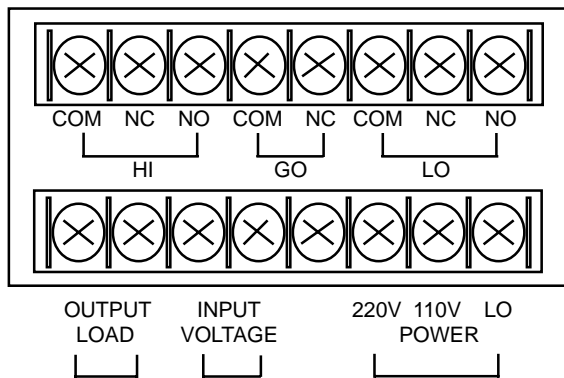


SPECIFICATIONS

Display	4 1/2 Digit 0.36" Red LED
Accuracy	+/- 0.25%
Sampling Rate	3 Cycles/sec
Input Frequency	0-1KHz
HI & LO Setpoints	0 - 19999
Limit Relay Outputs	125VAC @ 5A, 30VDC @ 5A
Input Voltage	Single Phase, 2-wire
Input Overload	Voltage - 750V RMS Continuous Current - 2X rated Continuous 10X rated for 10 sec. 50X rated for 1 sec.
Input Burden	Voltage Circuit - less than 0.3VA Current Circuit - less than 0.1VA
Over Range Indication	Flashing "0000"
Operating Temp.	0 - 60 deg C
Power Supply	110/220 VAC +/-10% 50/60 Hz

CONNECTION DIAGRAM

(rear view of meter)



MODELS

For Direct Load Connections Order Model WMR-42-XY
 Where:

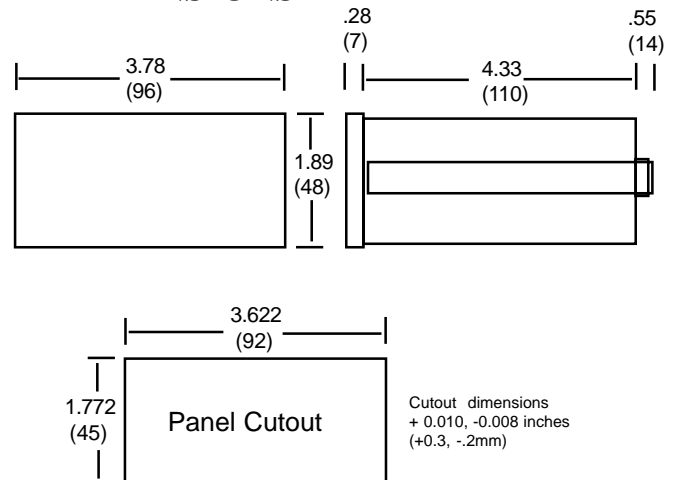
X= 1 (for 150 VAC)
 3 (for 300 VAC)
 6 (for 600 VAC)

Y= 1 (for 1 amp)
 5 (for 5 amp)
 9 (for 10 amp)

For External CT/PT Models Order Model WMR-42-XXX
 Where:

XXX = 110 (for 110 VAC PT, 5A CT)
 220 (for 220 VAC PT, 5A CT)
 (Specify CT ratio for scaling display)

DIMENSIONS



Cutout dimensions
 + 0.010, -0.008 inches
 (+0.3, -2mm)

Dimensions in inches
 (millimeters)

DUAL LIMIT WATT METER

WMR-42